



LOKAWIZ



Smart IoT Gateway

[www.lokawiz.com](http://www.lokawiz.com)

Smart devices and smart solutions

[info@lokawiz.com](mailto:info@lokawiz.com)

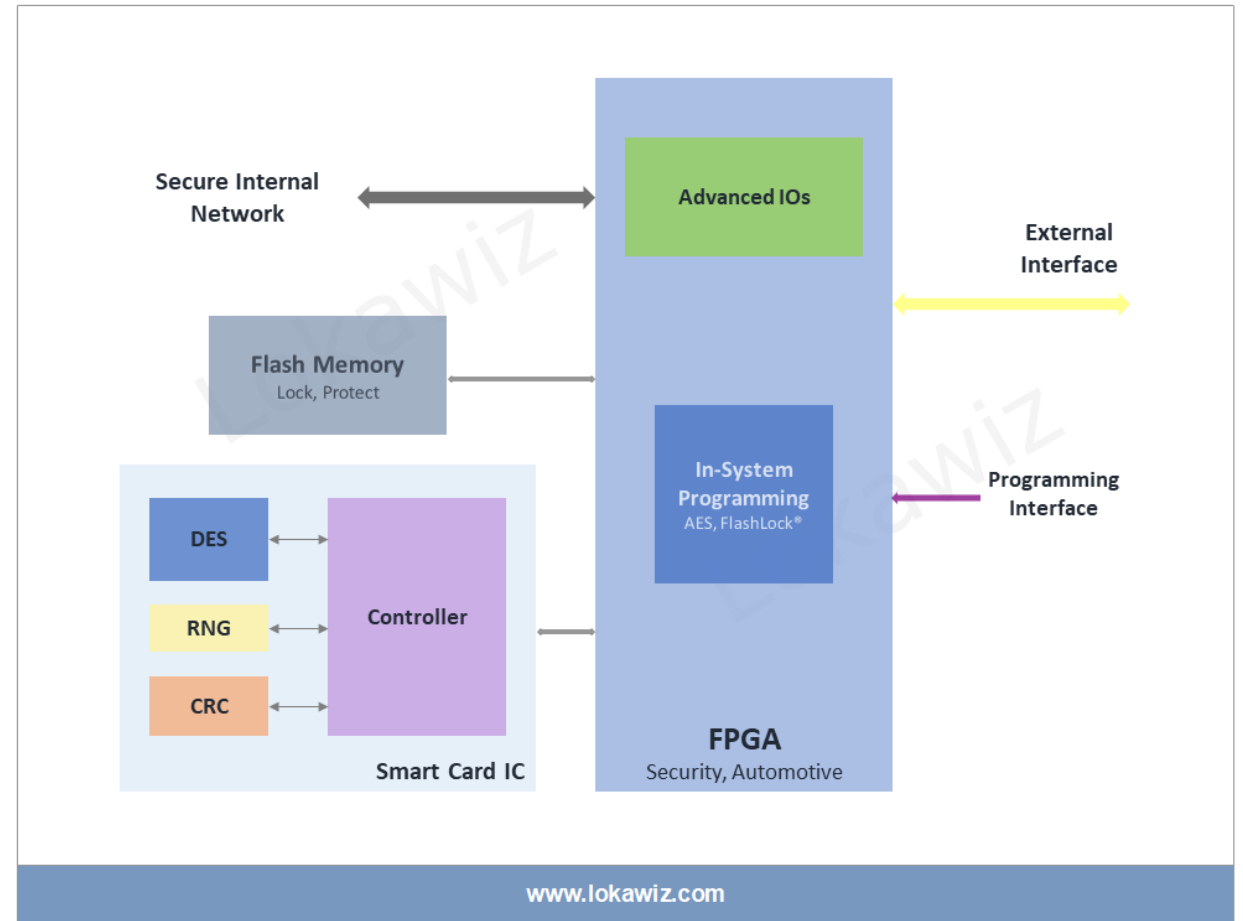
Secure ING Boards

[www.lokawiz.com](http://www.lokawiz.com)

# Introduction

## Secure ING

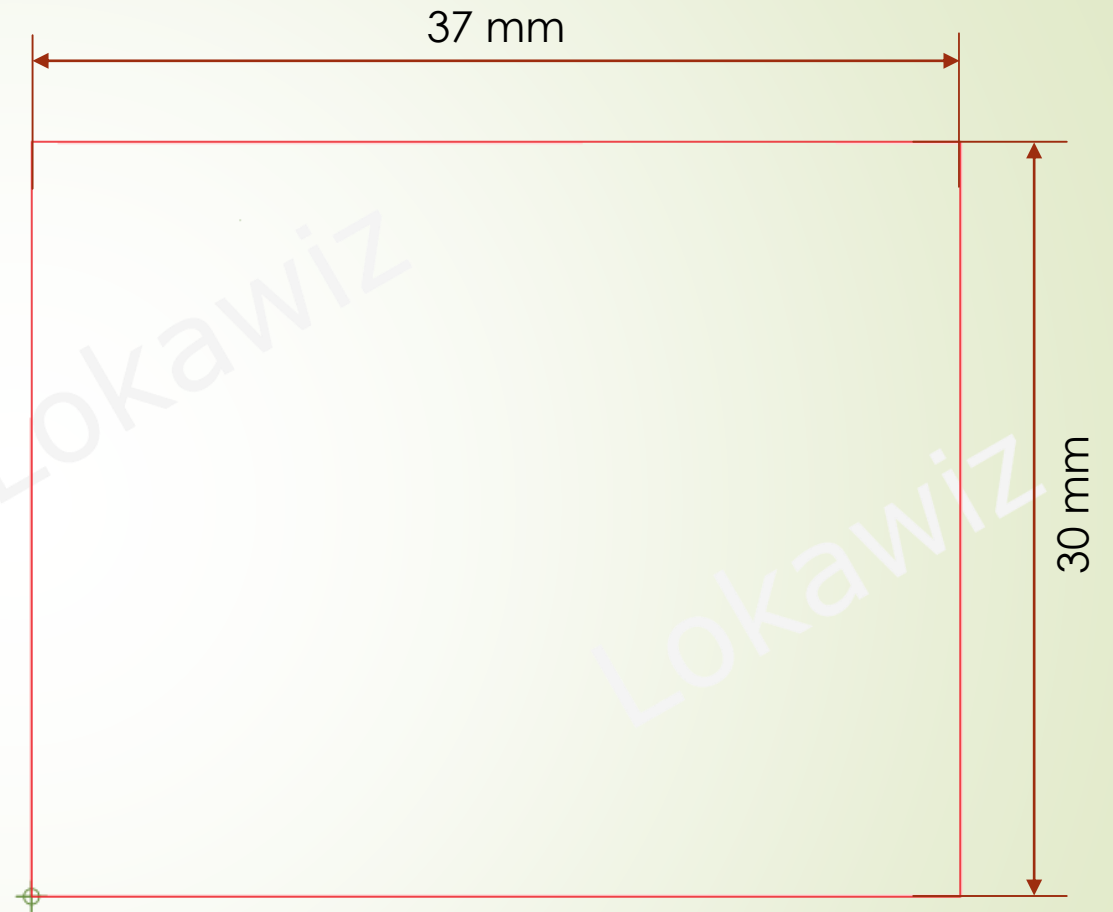
- Secure IoT Network Gateway
- Secure data broker between two ends
- Use cases
  - Secure communication with IoT network devices
  - Securing IoT network from external attacks
  - Secure software update to specific hardware
  - Protocol conversion (minor protocol changes)
  - Data reframing/remapping, secure bridge between two different interfaces (limited)



# General

## Features

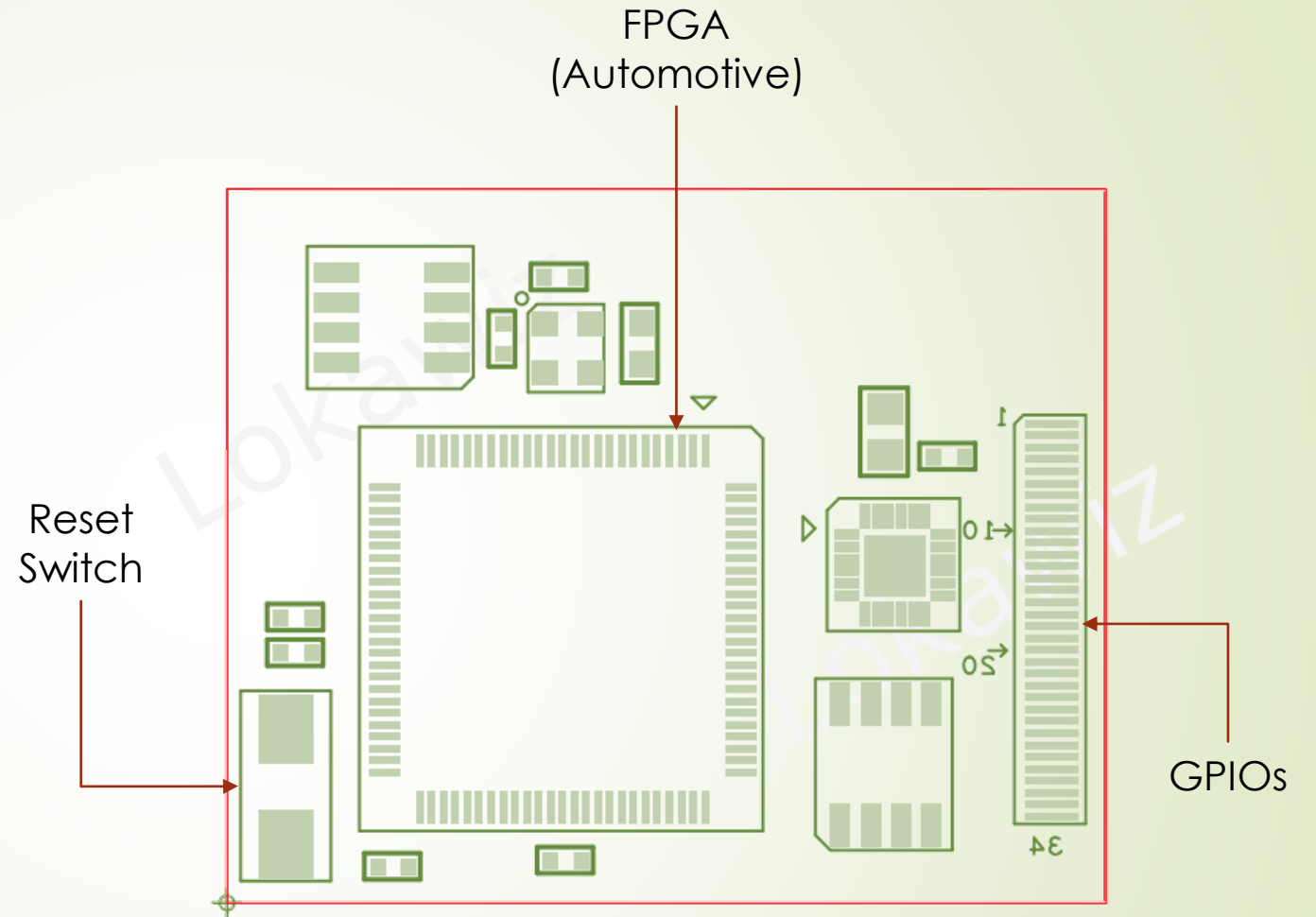
- ▶ Size within 37x30mm<sup>2</sup>
- ▶ Temperature Range -40-85°C
- ▶ On-board Modules
  - ▶ FPGA
  - ▶ Smart Card IC
  - ▶ Flash memory
  - ▶ Voltage Regulators
  - ▶ System Oscillators
  - ▶ Programmer connectors, Test points & Reset control
- ▶ Wide range of applications
  - ▶ IoT & Security
- ▶ Low Power (LP) Design



# Modules

## FPGA Core

- ▶ Selectable FPGA (Automotive)
  - ▶ System Gates 60/125/250K; RAM 18/36Kb; W/ Cortex-M1
- ▶ 350MHz with 66MHz 64Bit PCI
- ▶ In-System Programming with 128-Bit AES & FlashLock®
- ▶ Embedded Flash ROM (1Kb)
- ▶ Advanced I/O
  - ▶ 700 Mbps DDR; LVPECL, LVDS, B-LVDS and/or M-LVDS
  - ▶ Hot-Swappable, Cold-Sparing, Weak Pull-Up/Down
  - ▶ Programmable Slew/Drive
- ▶ FPGA Reset Switch
- ▶ 34 pin, 0.5mm pitch FFC/FPC connector with 25 GPIOs

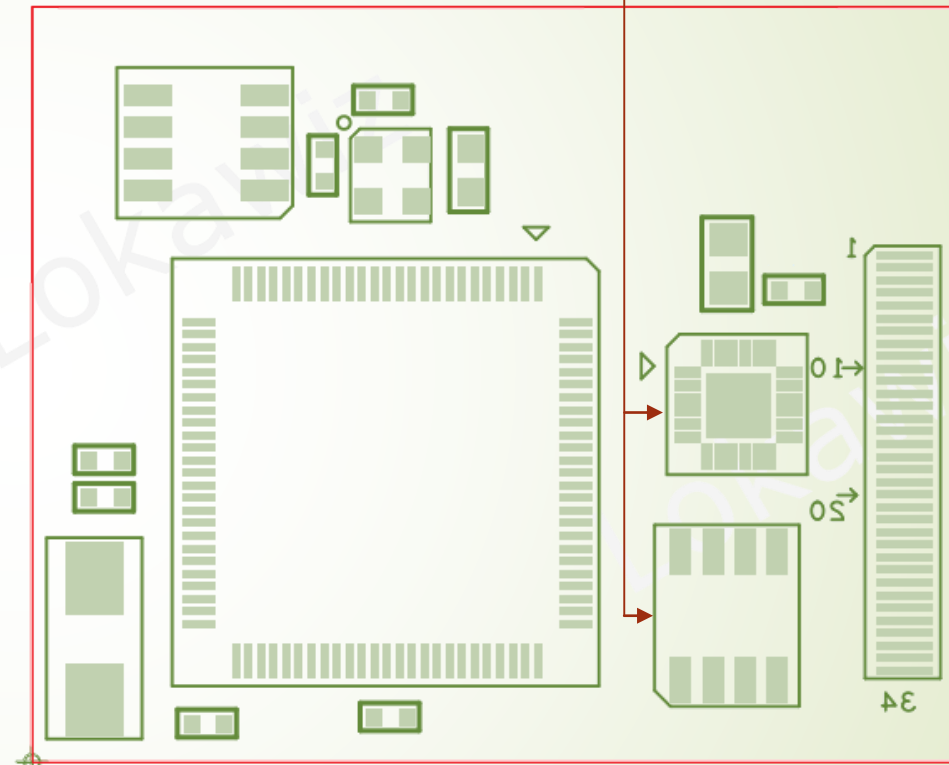


# Modules

## Smart Card IC

- ▶ Contact less and Contact IF
  - ▶ ISO14443 A, B (106-847kbps)
  - ▶ ISO7816-3, 8+ clk/etu baud
- ▶ Core features
  - ▶ 30MHz 80X51 CPU, low power modes, Idle (<100uA) & Stop
  - ▶ 8/16 bits Timers/Counters
  - ▶ CRC16 module ISO3309,13239
- ▶ Security features
  - ▶ DES/3DES (ECB/CBC/MAC)
  - ▶ FIPS140-2 tested RNG
  - ▶ ISO14443-3 unique ID (1,7,10B)
  - ▶ Secure contact, contact less on-chip memory manager

Smart Card IC  
Dual package

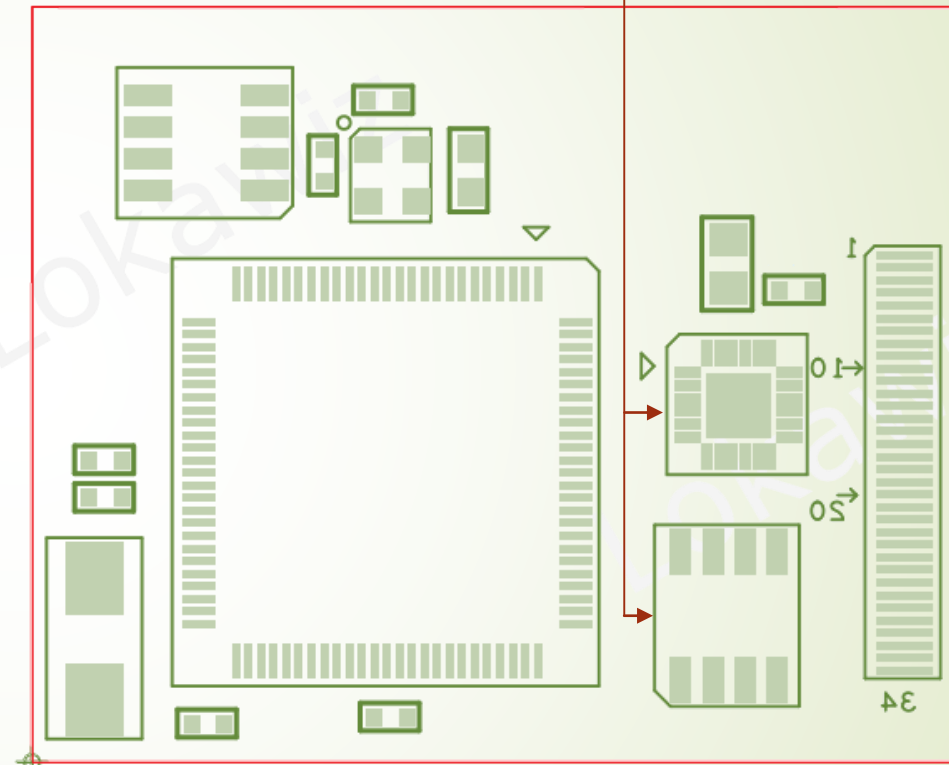


# Modules

## Smart Card IC (Cont.)

- Memory
  - 128KB General Purpose Non Volatile Memory (GPNVM)
  - 15Yr data retention, endurance >100 cycles
  - 256B+2560B RAMs (I+X)
  - DMA (CRC, DES & Compare)
  - Secure Management, Fast Byte programming
  - LOG2PHY, Page Smart erase
- Development tools
  - Integrated with KEIL uVison3/4,
  - Emulator and ISO14443-3/4 Type A&B library (low level)
- IC package QFN/SO8/Both

## Smart Card IC Dual package



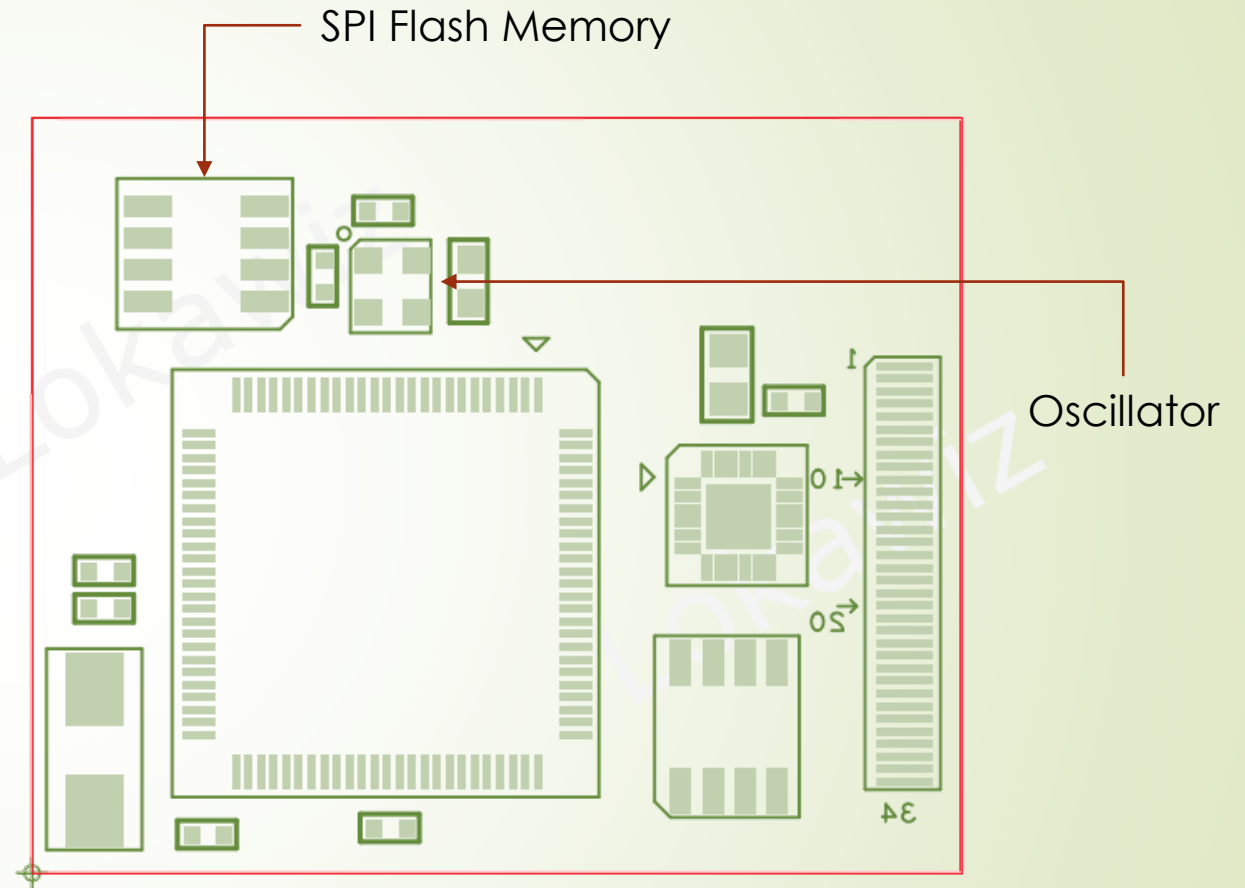
# Modules

## SPI Flash Memory

- Core Features
  - Standard/dual/quad SPI & QPI
  - 100K+ erase/program cycles, 20+Yr data retention
  - LP: 4mA active, <1 $\mu$ A off
- Advanced Security features
  - Unique ID, write protect, one time program lock/protection
  - Security registers, Power supply lock-down

## Oscillator

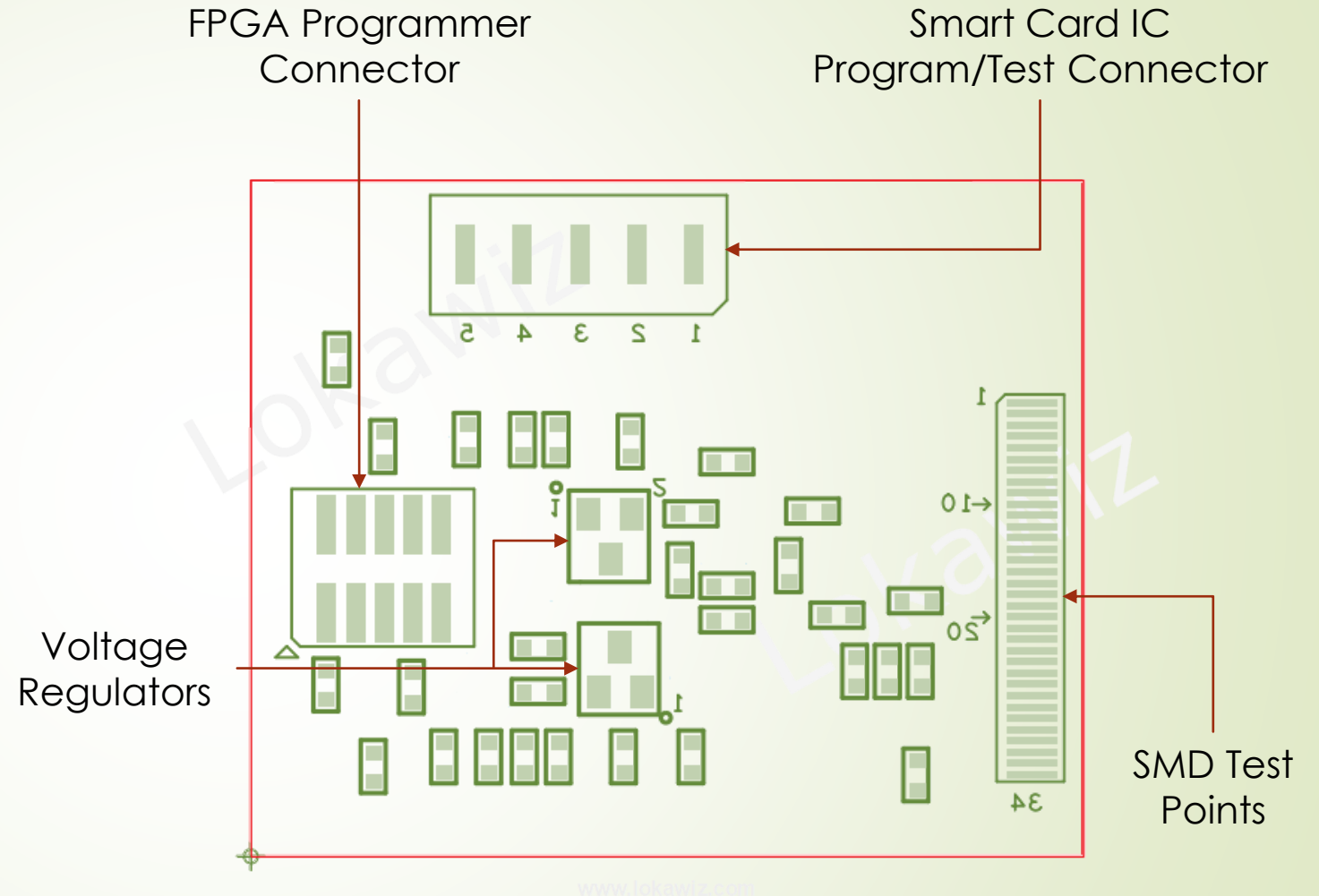
- 40 MHz On-board Oscillator
  - Extremely low jitter
  - Frequency Resolution in  $\mu$ Hz
  - Stabilities to  $\pm 20$  PPM



# Modules

## Miscellaneous

- ▶ FPGA JTAG Programmer Connector
- ▶ Smart Card IC Program and Test connector
- ▶ Voltage Regulators
  - ▶ 3.3V & 1.5V output
  - ▶ High precision, accuracy  $\pm 2\%$
  - ▶ Low Power:  $1\mu\text{A}$  typ.
  - ▶ Low dropout:  $250\text{mV}@100\text{mA}$
  - ▶ Current limit protection
- ▶ SMD Test Points
  - ▶ 32 test points for FPGA Testing







# Contact

## Sales Query

Noida, Delhi-NCR, India

[www.lokawiz.com](http://www.lokawiz.com)

[sales@lokawiz.com](mailto:sales@lokawiz.com)

+91-9910338221

+91-9560324282

Lokawiz

# Thank You

Lokawiz